



# Alarm Bar

Designed to protect overhead assets from accidental damage from moving vehicles.

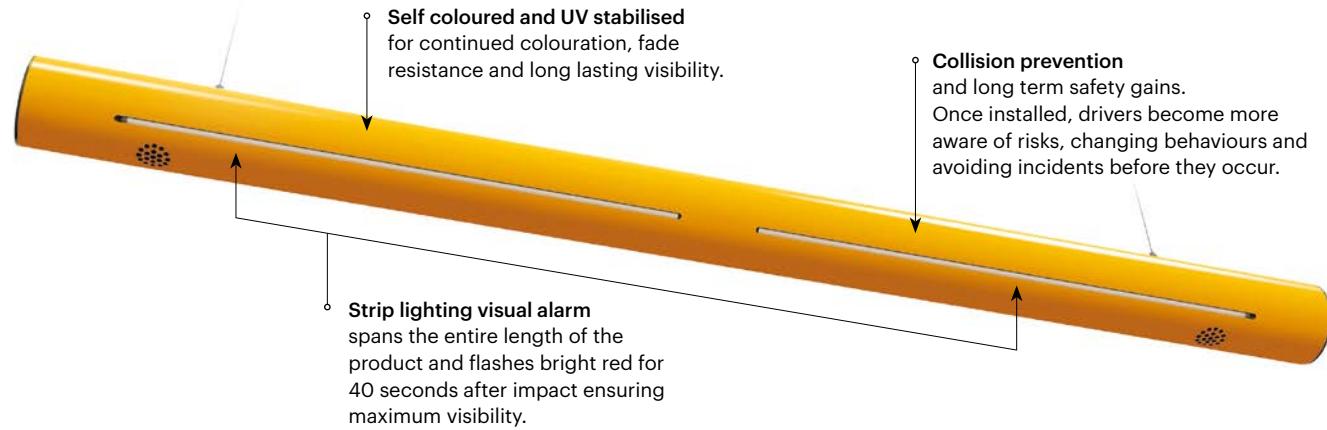
This ceiling-mounted barrier provides audible and visible alarms to prevent damage before it happens, averting vehicle impacts and changing driver behaviour over time.

Quick and easy to install, it can be used to safeguard doorframes, loading docks, infrastructure and overhead walkways, as well as key safety assets such as sprinkler systems and ventilation pipes.

Not suitable for outdoor use.

Memaplex shock-absorbing casing created from an exclusive composition of the most sophisticated materials, expertly blended for high-strength durability, flexibility and crack-resistance.

Quick and easy installation at a height to suit you. Heavy duty wires, adjustable gripple hooks, push-fit caps and battery power maximise versatility and minimise install time.



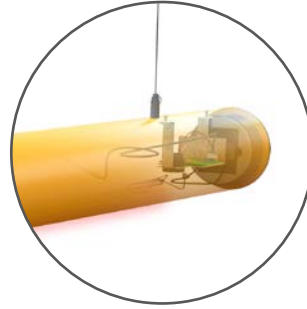
## Features and benefits



Twin buzzers each emit a 102 decibel alarm for 20 seconds, the equivalent of a car horn 1 metre away. Simultaneously, indicator strips flash bright red for 40 seconds, creating a complete and powerful audio-visual alert.



Protect low hanging infrastructure in environments where high-level vehicles such as forklift trucks are in operation.

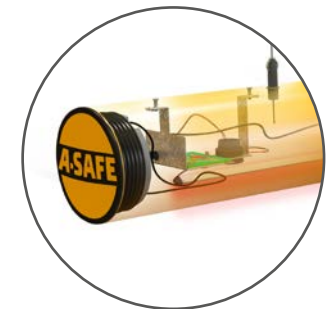


Patented smart sensor technology differentiates natural vibrations and wind currents, preventing accidental tripping and false alarms.

Long life battery provides constant power for over 2 years.



Twin buzzer audio alarm emits a sound level of 102 decibels\* for 20 seconds after impact, creating a strong audio alert easily heard in industrial environments.



Plug and play battery adaptor makes it quick and easy to replace batteries without the need for screws.



# Technical Information

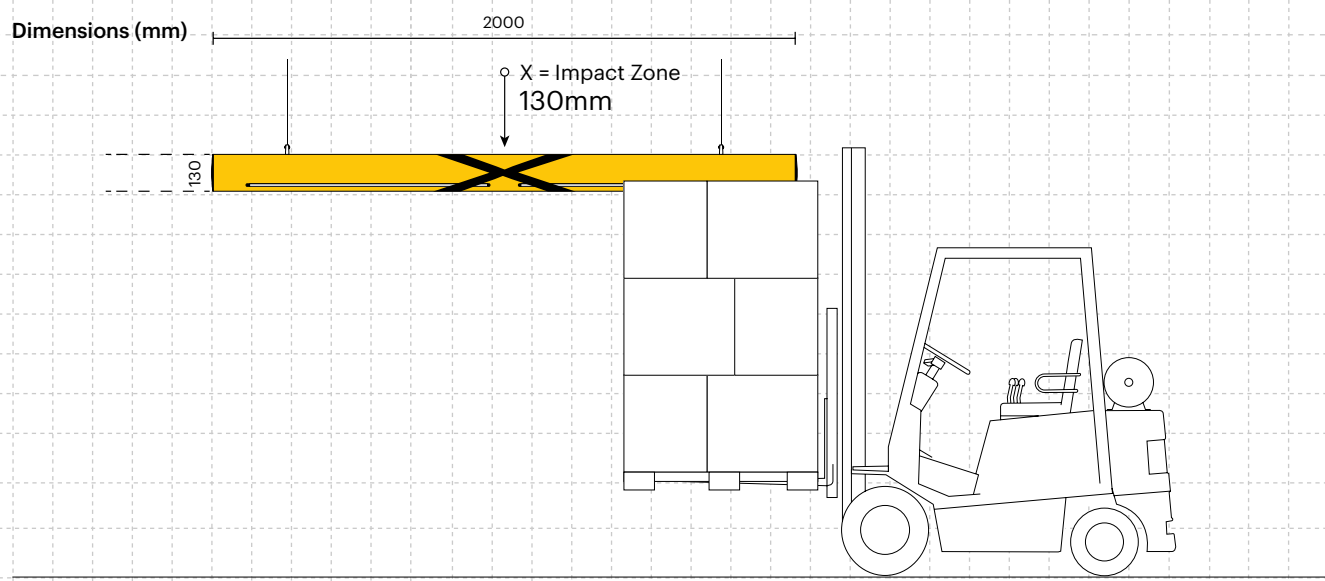
**Audio & Visual Alerts**

**2x Buzzers** per Alarm Bar

|     |        |
|-----|--------|
| 2m  | 89dB   |
| 4m  | 81.6dB |
| 6m  | 78.6dB |
| 8m  | 75.4dB |
| 10m | 75.4dB |

**Buzzer 20 seconds** after impact

**Flashes 40 seconds** after impact



**Bar Colour**

Standard Yellow  
RAL 1007\*  
PANTONE 7548\*

**Colour Combinations**

\*Please note that the RAL and PANTONE colours listed are the closest match to standard A-SAFE colours, but may not be exact matches of the actual product colour and should be used for guidance only.

| Power  |  | LEDs   |                    |
|--|--|--|--------------------|
| 12V (battery operation offers increased flexibility on installation) | 2 years battery life in normal operation | 2x Red Flashing Indicator strips (40 Seconds after impact) | Brightness: 68lm/M |

**Force to Bolt**

**5x** safety factor pull out force on gripples

| Material Properties                 | MEMAPLEX™                |
|-------------------------------------|--------------------------|
| Temperature Range                   | +5°C to 50°C             |
| Ignition Temperature                | 370°C to 390°C           |
| Flash Point                         | 350°C to 370°C           |
| Toxicity                            | Not Hazardous            |
| Chemical Resistance                 | Excellent - ISO/TR 10358 |
| Weathering Stability (Grey Scale)   | 5/5*                     |
| Light Stability (Blue Wool Scale)   | 7/8**                    |
| Static Rating (Surface Resistivity) | 1015 - 1016 Ω            |
| Hygiene Seals                       | No                       |

\* Weathering scale 1 is very poor and 5 is excellent  
 \*\* Light stability scale 1 is very poor and 8 is excellent



\*Audible data gathered with an average ambient noise level of 78dB.

